

# ROTARY MANIFOLDS

***HYDRAULIC***

***ELECTRIC***



***COMBINATION  
HYDRAULIC - ELECTRIC***

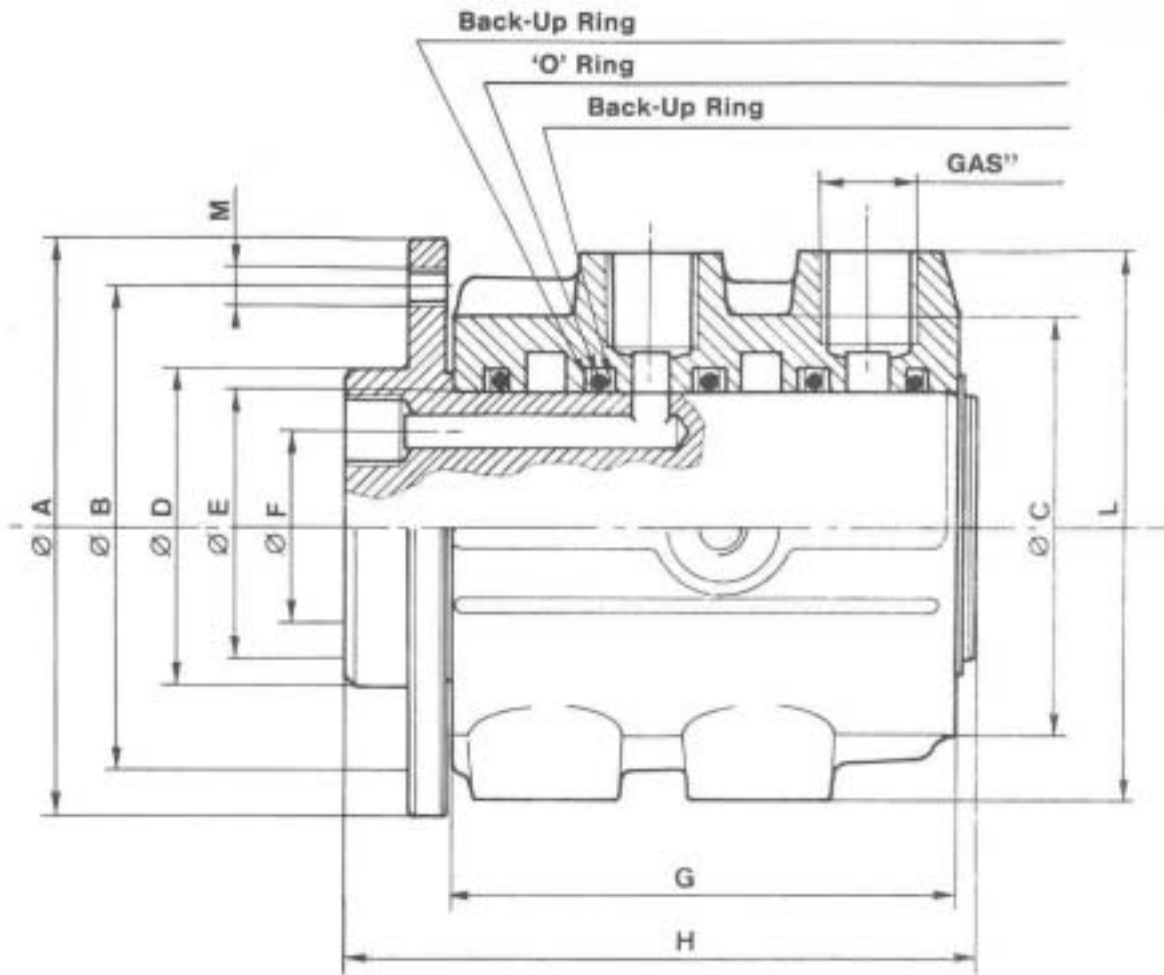
## **ROTARY MANIFOLDS**

<b><u>CONTENTS</u></b>	<b><u>PAGE</u></b>
Series A-05-15.....	2
Series A-00-25 & A-00-25 .....	3
Series B-00-25 .....	4
Series C-00-26.5 .....	5
Series D-00-33 .....	6
Series E-00-33 .....	7
Series F-00-33.....	8
Series G-00-33 .....	9
Series H-00-40 .....	10
Series I-00-40 .....	11
Series J-10-08 & K-10-05 .....	12



**SAI Hydraulics, Inc.**  
3905 W. 9th Street  
Trainer, PA 19061  
(610) 497-0190 Fax (610) 497-0194

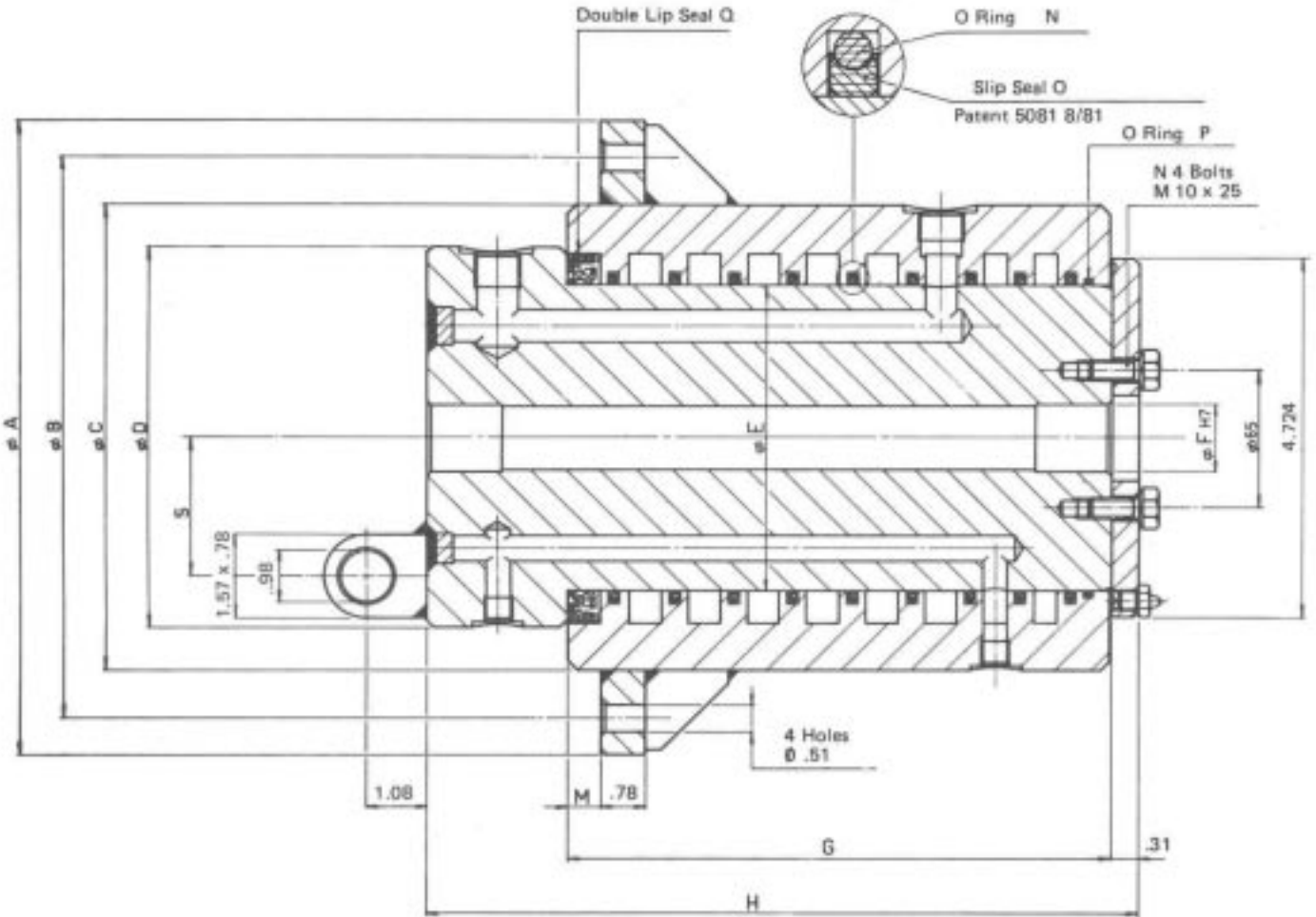
**SAI Hydraulics Canada Ltd.**  
6105 Boulevard Couture  
St. Leonard, PQ H1P3G7  
(514) 323-4552 Fax (514) 323-8780



Working Pressure 5000 psi

No. of Ports	Port Size & Qty				A	B	C	D	E	F	G	H	L	M	N
	1/4"	1/2"	3/4"	1"											
2			2		7.087	5.906	5.118	3.937	3.346	2.362	2.559	4.331	6.496	12MA	.210
2		2			4.488	3.740	-	2.953	2.362	1.575	2.953	4.134	3.937	10MA	.139
4			4		7.087	5.906	5.118	3.937	3.346	2.362	4.331	6.102	6.496	12MA	.210
4	2	2			4.488	3.740	-	2.953	2.362	1.575	4.843	6.024	3.937	10MA	.139
5		2	2	1	7.087	5.906	5.709	4.724	3.937	2.953	7.205	8.661	7.087	12MA	.210
6	6				4.488	3.740	-	2.953	2.362	1.732	4.331	5.748	3.937	10MA	.139
6		2	4		7.087	5.906	5.709	4.724	3.937	2.953	8.268	9.646	7.087	12MA	.210
7	7				4.488	3.740	-	2.953	2.362	1.732	4.843	6.417	3.937	10MA	.139
8	8				4.921	4.134	-	3.150	2.756	-	6.102	8.268	3.937	10MA	.139
10	10				4.921	4.134	-	3.150	2.756	-	7.087	9.449	3.937	10MA	.139
11	11				4.921	4.134	-	3.150	2.756	-	7.283	9.646	3.937	10MA	.139

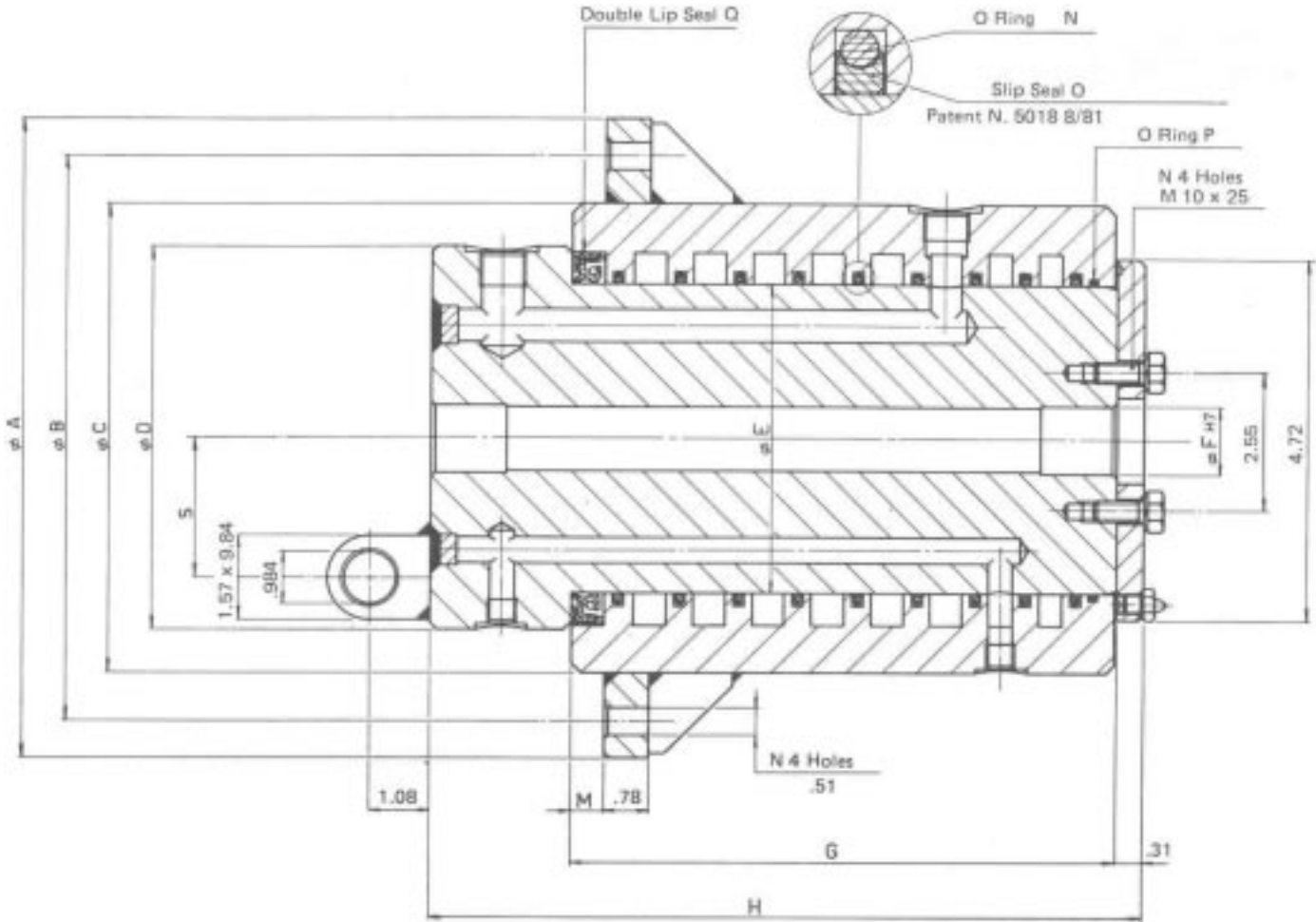
Optional port sizes upon request - up to 30 electrical connections also available



Working pressure 6000 psi

No. of Ports	Port Size & Qty				A	B	C	D	E	F	G	H	M	N	O	P	Q	S
	3/8"	1/2"	3/4"	1"														
2			2		9.45	7.87	5.83	3.94	3.35	.79	3.31	4.80	.59	4350	3.35	4337	85-110-12	1.5
3		3			9.45	7.87	5.83	3.94	3.35	.79	4.13	6.42	.59	4350	3.35	4337	85-110-12	1.5
4		2	2		9.45	7.87	5.83	3.94	3.35	.79	4.96	6.46	.59	4350	3.35	4337	85-110-12	1.5
6		4	2		9.45	7.87	5.83	3.94	3.35	.79	6.81	9.25	.59	4350	3.35	4337	85-110-12	1.5
8	8				9.45	7.87	5.83	3.94	3.35	.79	8.11	10.63	.59	4350	3.35	4337	85-110-12	1.5
8		6	2		9.45	7.87	5.83	3.94	3.35	.79	8.47	10.95	.59	4350	3.35	4337	85-110-12	1.5
10	4	4	2		9.45	7.87	5.83	3.94	3.35	.79	10.08	12.48	.59	4350	3.35	4337	85-110-12	1.5

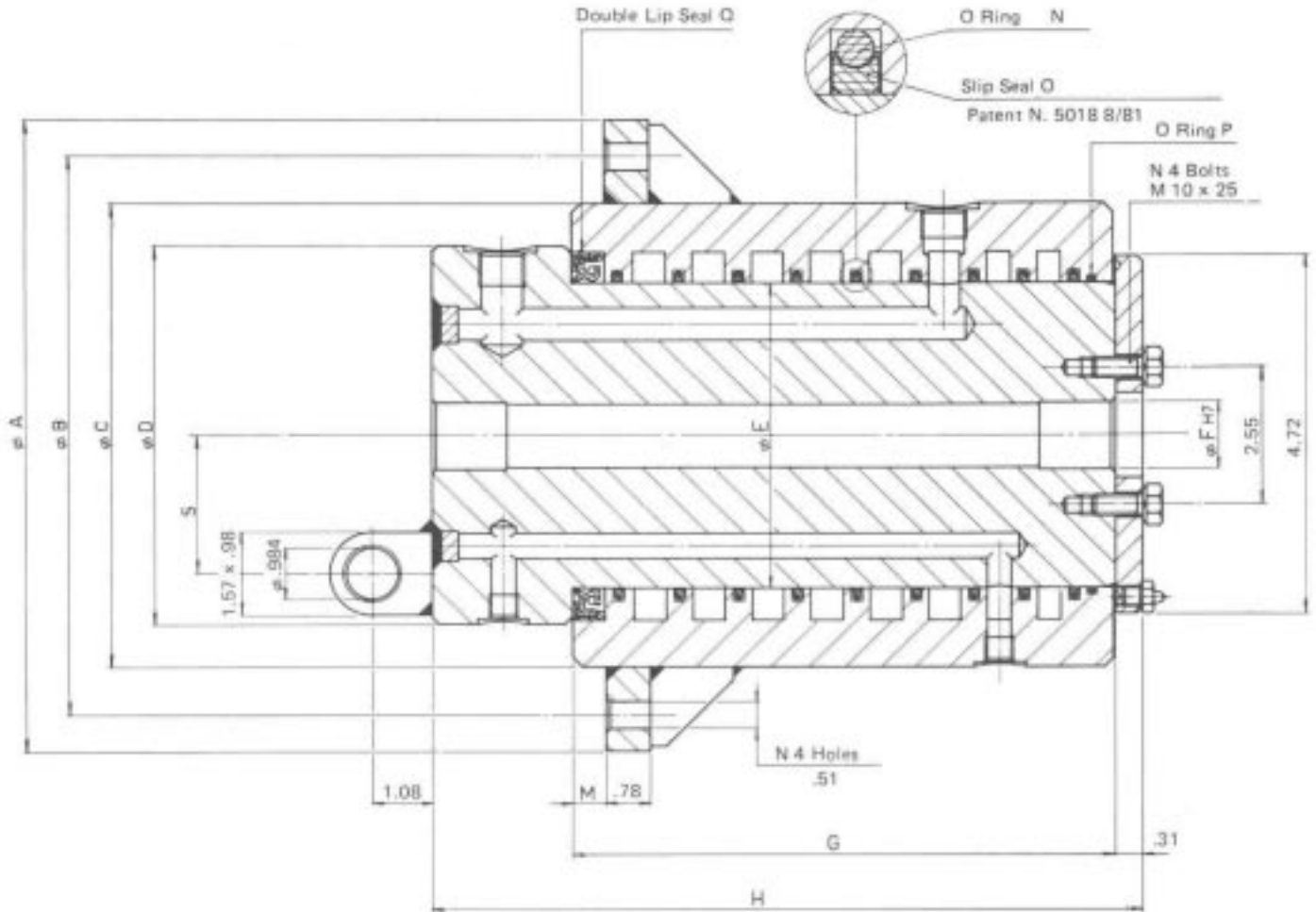
Optional port sizes upon request - up to 30 electrical connections also available



Working Pressure 6000 psi

No. of Ports	Port Size & Qty					A	B	C	D	E	F	G	H	M	N	O	P	Q	S
	1/4"	3/8"	1/2"	3/4"	1"														
5			1	4		9.45	7.87	6.14	5.12	3.62	1.18	6.22	8.70	.16	4375	3.62	4362	90-110-12	1.77
7		1	4	2		9.45	7.87	6.14	5.12	3.62	1.18	7.56	10.04	.16	4375	3.62	4362	90-110-12	1.77
7		2	1		4	9.45	7.87	6.14	5.12	3.62	.79	9.17	12.09	.16	4375	3.62	4362	90-110-12	1.77
8		2	4	2		9.45	7.87	6.14	5.12	3.62	1.18	8.86	11.50	.16	4375	3.62	4362	90-110-12	1.77
9		2	5	2		9.45	7.87	6.14	5.12	3.62	1.18	9.21	11.50	.16	4375	3.62	4362	90-110-12	1.77
11		4	5	2		9.45	7.87	6.14	5.12	3.62	1.18	10.43	13.39	.16	4375	3.62	4362	90-110-12	1.77
12	4	4	2	2		9.45	7.87	6.14	5.12	3.62	1.18	11.30	14.17	.16	4375	3.62	4362	90-110-12	1.77
14	12		2			9.45	7.87	6.14	5.12	3.62	1.18	11.77	14.76	.16	4375	3.62	4362	90-110-12	1.77
18	16		2			9.45	7.87	6.14	5.12	3.62	1.18	14.57	17.56	.16	4375	3.62	4362	90-110-12	1.77

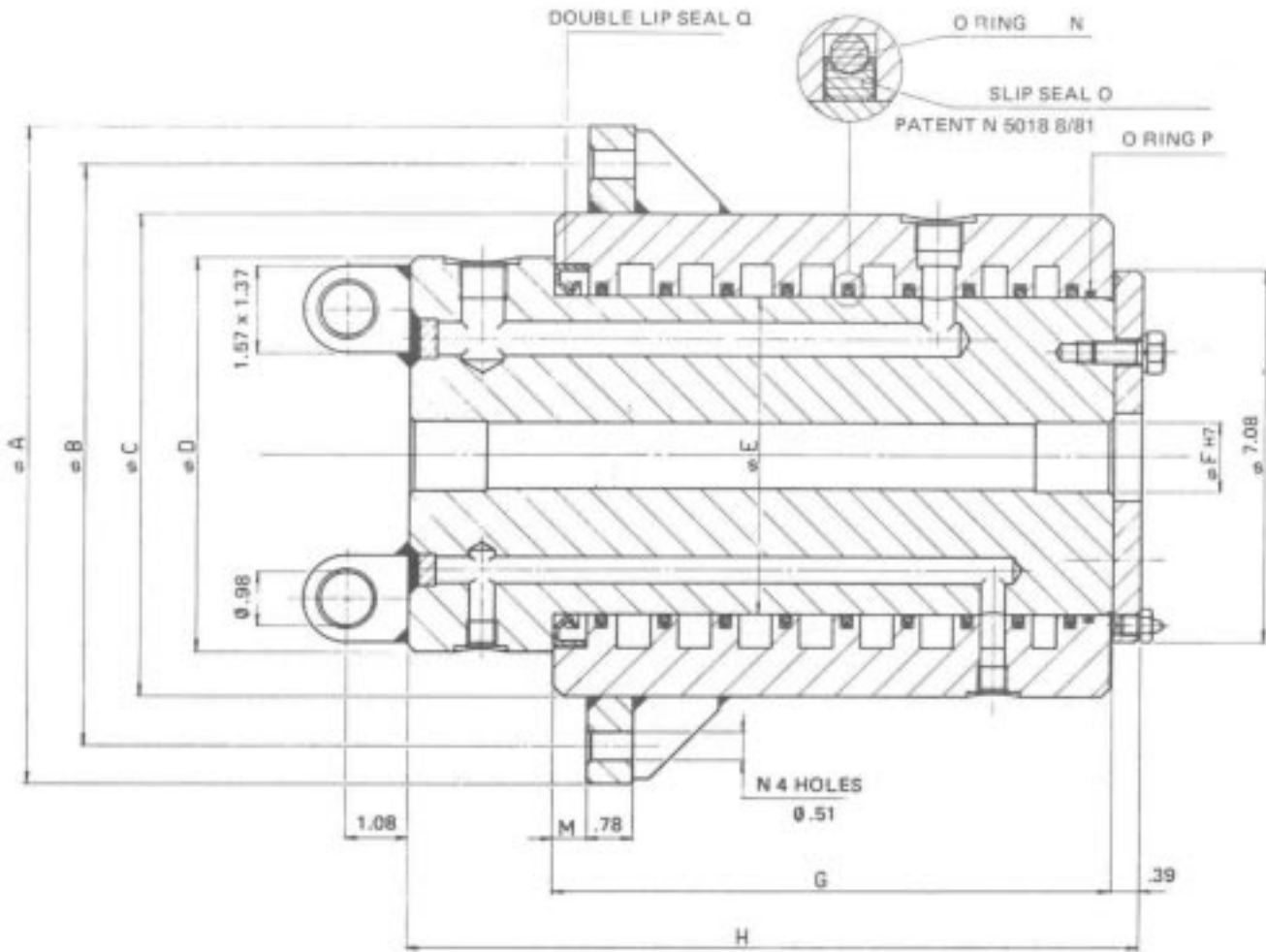
Optional port sizes upon request - up to 30 electrical connections also available



Working Pressure 6000 psi

No. of Ports	Port Size & Qty					A	B	C	D	E	F	G	H	M	N	O	P	Q	S
	1/4"	3/8"	1/2"	3/4"	1"														
6				2	4	9.45	7.87	6.50	5.91	3.94	1.18	8.58	11.69	.59	4412	3.94	4400	100-120-12	1.97
8				4	4	9.45	7.87	6.50	5.91	3.94	1.18	11.65	14.72	.59	4412	3.94	4400	100-120-12	1.97
10			6	2	2	9.45	7.87	6.50	5.91	3.94	1.18	12.05	15.12	.59	4412	3.94	4400	100-120-12	1.97
12			10	2		9.45	7.87	6.50	5.91	3.94	1.18	11.81	14.96	.59	4412	3.94	4400	100-120-12	1.97
14	4		8		2	9.45	7.87	6.50	5.91	3.94	1.18	14.37	17.44	.59	4412	3.94	4400	100-120-12	1.97
16	10		4		2	9.45	7.87	6.50	5.91	3.94	1.18	14.96	18.03	.59	4412	3.94	4400	100-120-12	1.97
16	2		14			9.45	7.87	6.50	5.91	3.94	1.18	14.49	17.95	.59	4412	3.94	4400	100-120-12	1.97
18	14		4			9.45	7.87	6.50	5.91	3.94	1.18	15.35	18.43	.59	4412	3.94	4400	100-120-12	1.97
20	16		2	2		9.45	7.87	6.50	5.91	3.94	1.18	16.54	19.61	.59	4412	3.94	4400	100-120-12	1.97

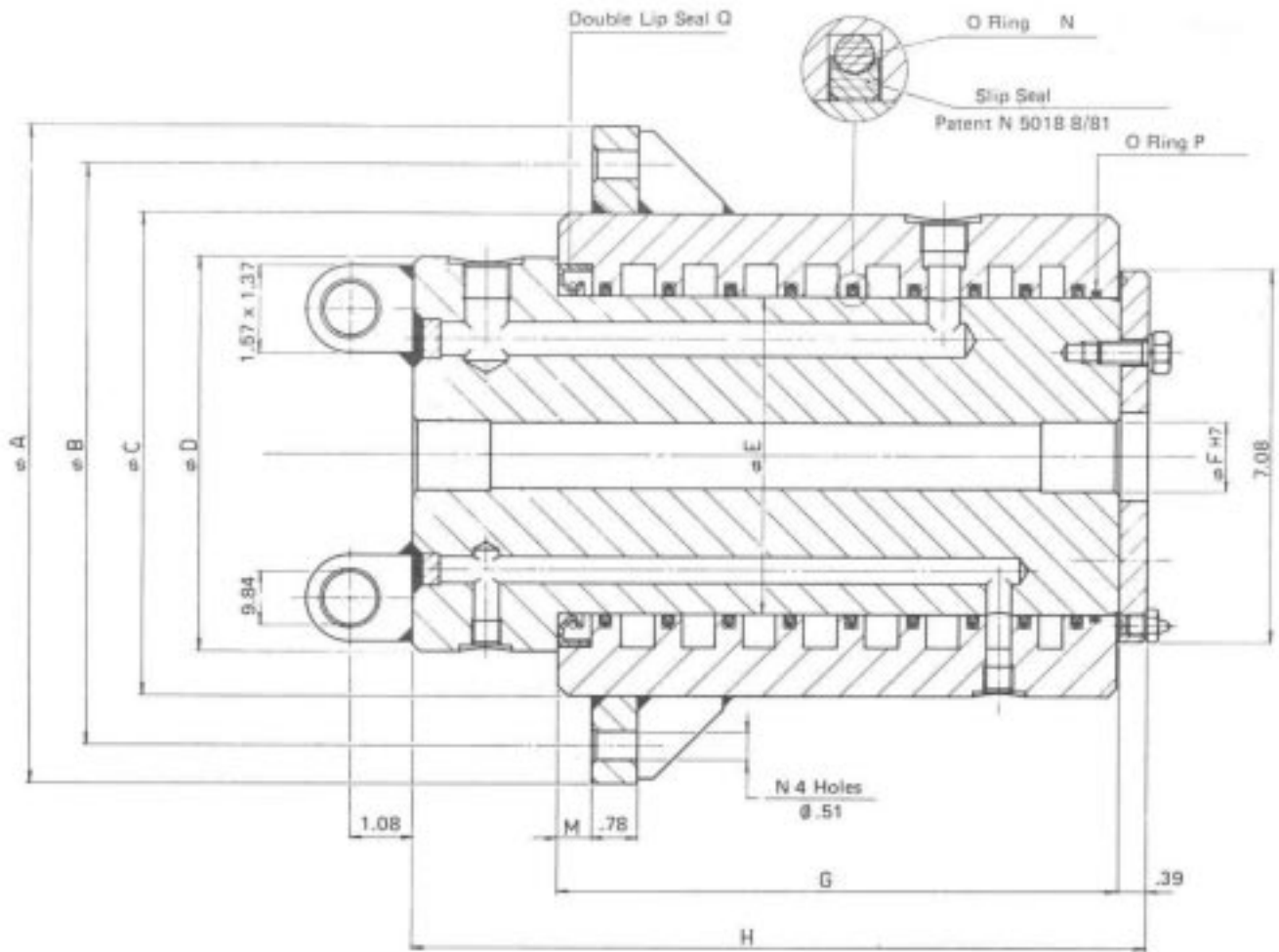
Optional port sizes upon request - up to 30 electrical connections also available



Working Pressure 6000 psi

No. of Ports	Port Size & Qty					A	B	C	D	E	F	G	H	M	N	O	P	Q
	1/4"	1/2"	3/4"	1"	1 1/4"													
5			1	2	2	10.63	9.45	7.48	5.91	4.92	1.18	8.03	11.22	.59	4512	4.92	4500	125-150-12
6				6		10.63	9.45	7.48	5.91	4.92	1.18	8.78	11.81	.59	4512	4.92	4500	125-150-12
7		3		4		10.63	9.45	7.48	5.91	4.92	1.18	9.13	12.36	.59	4512	4.92	4500	125-150-12
9		3	4	2		10.63	9.45	7.48	5.91	4.92	1.18	10.31	13.39	.59	4512	4.92	4500	125-150-12
11		5	4	2		10.63	9.45	7.48	5.91	4.92	1.18	11.81	16.14	.59	4512	4.92	4500	125-150-12
12		10	2			10.63	9.45	7.48	5.91	4.92	1.18	12.05	15.59	.59	4512	4.92	4500	125-150-12
13		7	4	2		10.63	9.45	7.48	5.91	4.92	1.18	13.62	18.03	.59	4512	4.92	4500	125-150-12
14	4	6	2	2		10.63	9.45	7.48	5.91	4.92	1.18	14.72	18.31	.59	4512	4.92	4500	125-150-12
15		6	7	2		10.63	9.45	7.48	5.91	4.92	1.18	16.26	20.67	.59	4512	4.92	4500	125-150-12
16	4	4	6	2		10.63	9.45	7.48	5.91	4.92	1.18	17.32	21.65	.59	4512	4.92	4500	125-150-12
18	2	14	2			10.63	9.45	7.48	5.91	4.92	1.18	17.40	20.91	.59	4512	4.92	4500	125-150-12
22	19			3		10.63	9.45	7.48	5.91	4.92	1.18	17.83	20.67	.59	4512	4.92	4500	125-150-12
24	2	20	2			10.63	9.45	7.48	5.91	4.92	1.18	18.58	22.17	.59	4512	4.92	4500	125-150-12

Optional port sizes upon request - up to 30 electrical connections also available

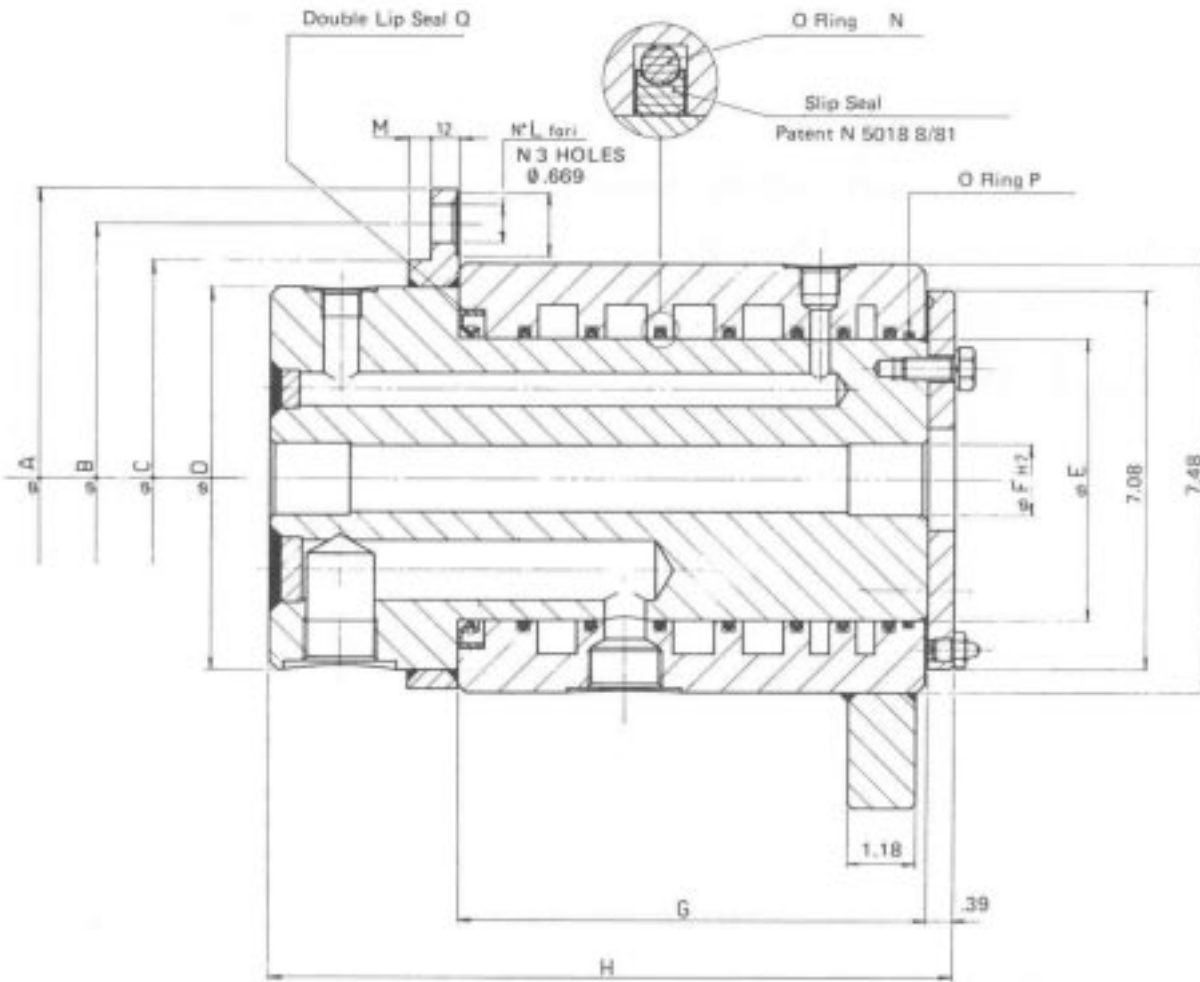


Working Pressure 6000 psi

No. of Ports	Port Size & Qty					A	B	C	D	E	F	G	H	M	N	O	P	Q
	1/4"	1/2"	3/4"	1"	1 1/4"													
5			1	2	2	10.63	9.45	7.48	5.91	4.92	1.18	7.95	11.50	.59	4512	4.92	4500	125-150-12
6			2	2	2	10.63	9.45	7.48	5.91	4.92	1.18	8.94	12.48	.59	4512	4.92	4500	125-150-12
7			3	2	2	10.63	9.45	7.48	5.91	4.92	1.18	9.88	13.43	.59	4512	4.92	4500	125-150-12
7	2		1		4	10.63	9.45	7.48	5.91	4.92	1.18	10.04	13.62	.59	4512	4.92	4500	125-150-12
9		2	3	2	2	10.63	9.45	7.48	5.91	4.92	1.18	11.42	14.96	.59	4512	4.92	4500	125-150-12
11		4	3	2	2	10.63	9.45	7.48	5.91	4.92	1.18	13.07	16.65	.59	4512	4.92	4500	125-150-12
12		5	3	2	2	10.63	9.45	7.48	5.91	4.92	1.18	13.90	17.48	.59	4512	4.92	4500	125-150-12
14	4	4	2	2	2	10.63	9.45	7.48	5.91	4.92	1.18	15.35	18.86	.59	4512	4.92	4500	125-150-12
18	2	8	4	2	2	10.63	9.45	7.48	5.91	4.92	1.18	17.40	20.91	.59	4512	4.92	4500	125-150-12

Optional port sizes upon request - up to 30 electrical connections also available

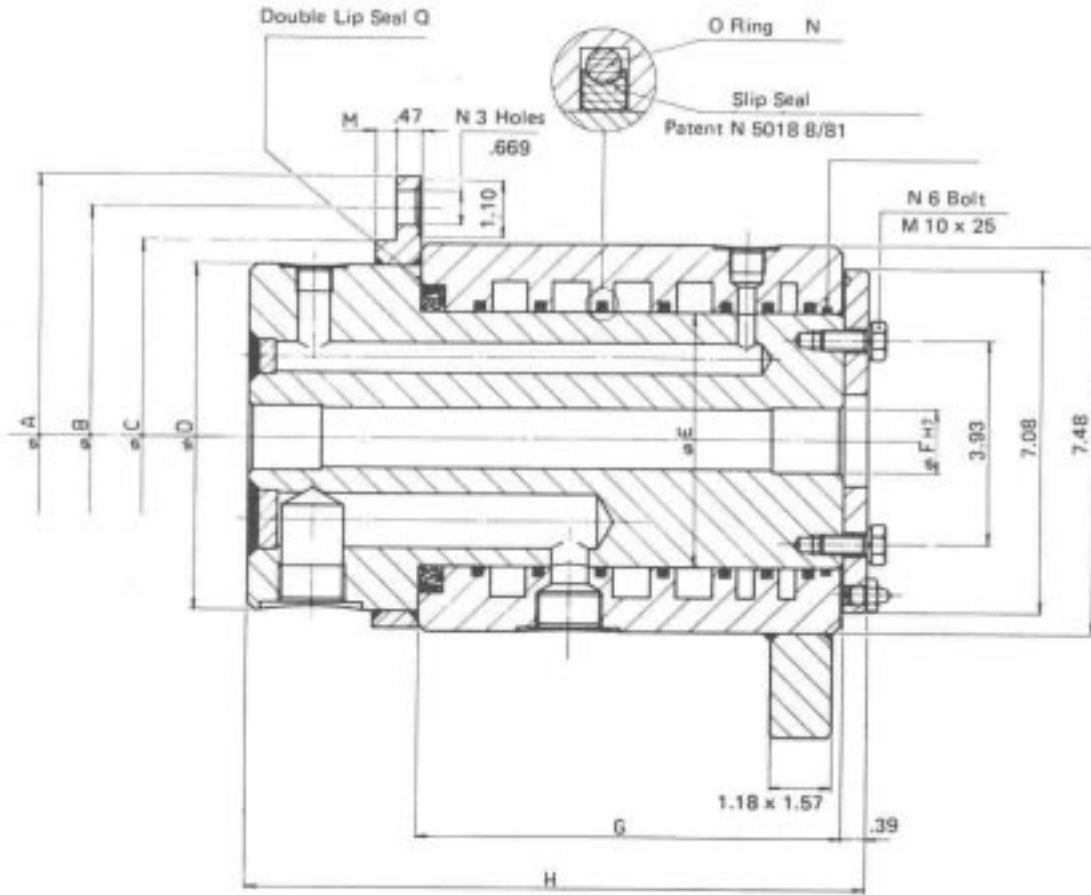




Working Pressure 6000 psi

No. of Ports	Port Size & Qty					A	B	C	D	E	F	G	H	M	N	O	P	Q
	1/4"	3/8"	1/2"	3/4"	1"													
5					5	10.08	8.86	7.68	6.69	4.92	1.18	7.67	11.30	.39	4512	4.92	4500	125-150-12
6	1	1		4		10.08	8.86	7.68	6.69	4.92	1.18	8.11	11.73	.39	4512	4.92	4500	125-150-12
7		2		5		10.08	8.86	7.68	6.69	4.92	1.18	9.37	12.99	.39	4512	4.92	4500	125-150-12
8		3		5		10.08	8.86	7.68	6.69	4.92	1.18	10.08	13.54	.39	4512	4.92	4500	125-150-12
9	2	2		5		10.08	8.86	7.68	6.69	4.92	1.18	10.87	14.49	.39	4512	4.92	4500	125-150-12
11	4	2		5		10.08	8.86	7.68	6.69	4.92	1.18	12.36	15.83	.39	4512	4.92	4500	125-150-12
12	5	2		5		10.08	8.86	7.68	6.69	4.92	1.18	13.11	16.65	.39	4512	4.92	4500	125-150-12

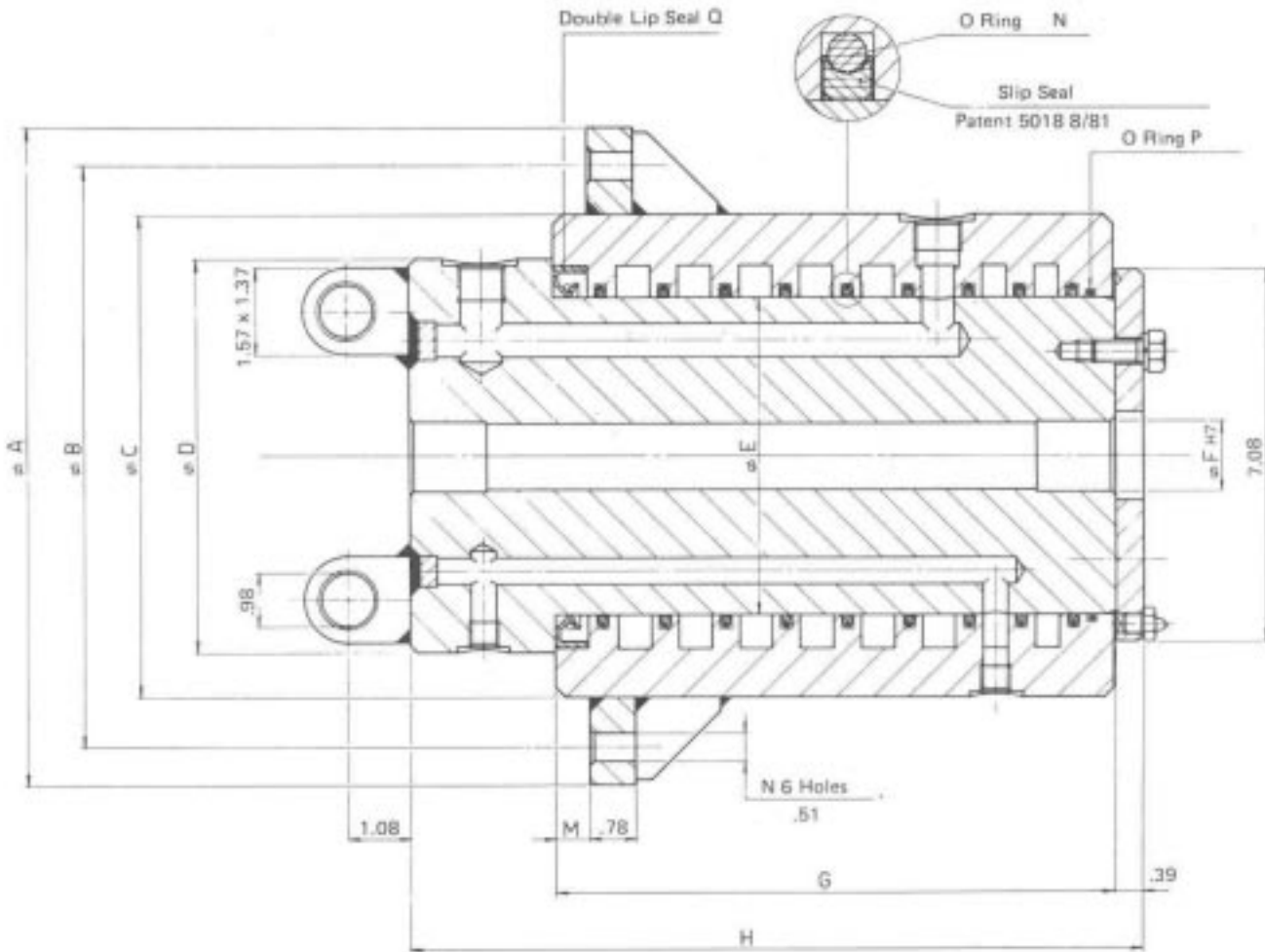
Optional port sizes upon request - up to 30 electrical connections also available



Working Pressure 6000 psi

No. of Ports	Port Size & Qty					A	B	C	D	E	F	G	H	M	N	O	P	Q
	3/8"	1/2"	3/4"	1"	1 1/4"													
5			1	2	2	9.84	8.86	7.28	6.69	4.92	1.18	7.95	12.36	.39	4512	4.92	4500	125-150-12
6			2	2	2	9.84	8.86	7.68	6.69	4.92	1.18	8.94	13.35	.39	4512	4.92	4500	125-150-12
7			3	2	2	9.84	8.86	7.68	6.69	4.92	1.18	9.88	14.29	.39	4512	4.92	4500	125-150-12
9		2	3	2	2	9.84	8.86	7.68	6.69	4.92	1.18	11.42	15.83	.39	4512	4.92	4500	125-150-12
11		4	3	2	2	9.84	8.86	7.68	6.69	4.92	1.18	13.07	17.52	.39	4512	4.92	4500	125-150-12
12		5	3	2	2	9.84	4.92	7.68	6.69	4.92	1.18	13.90	18.35	.39	4512	4.92	4500	125-150-12

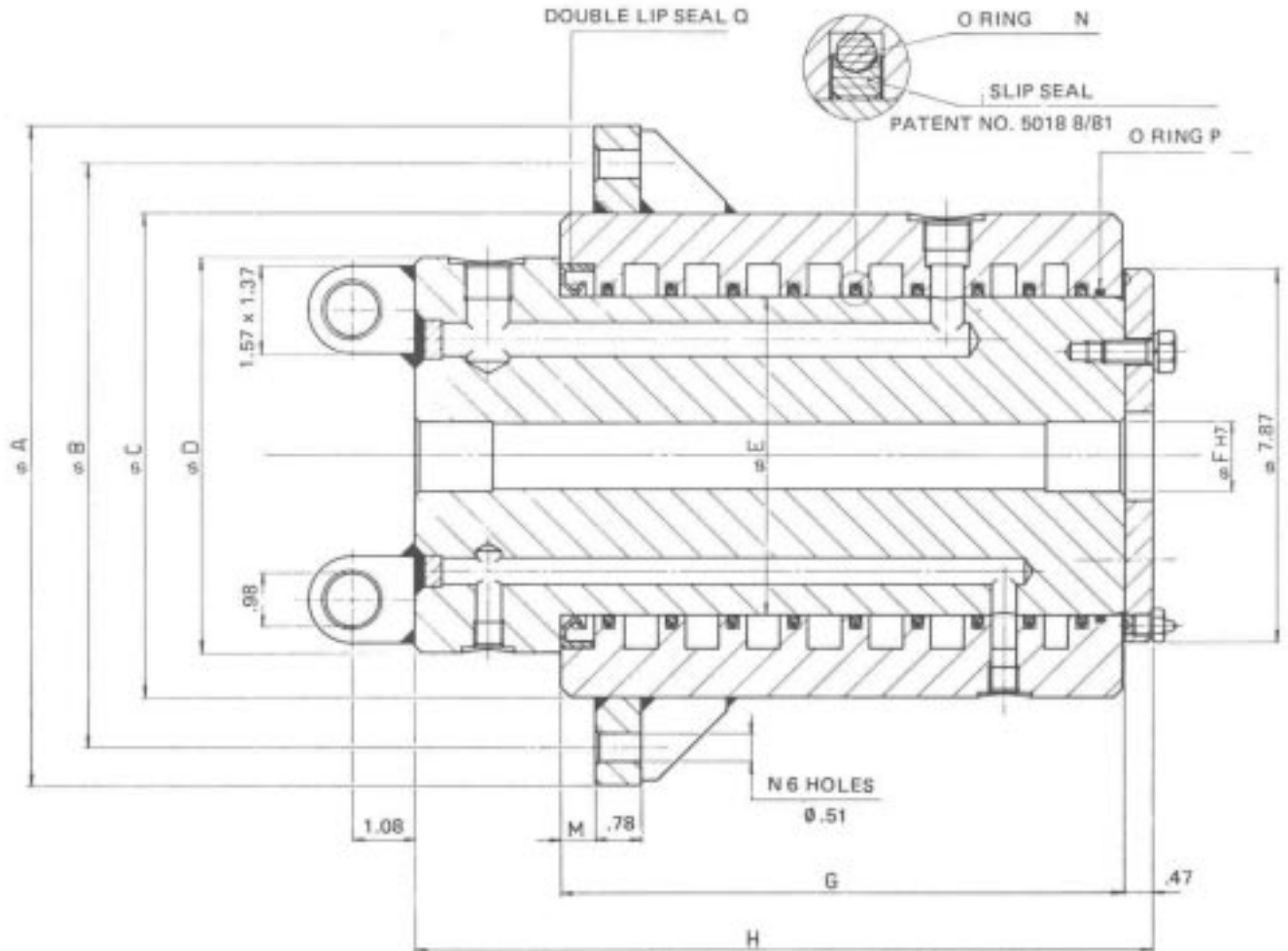
Optional port sizes upon request - up to 30 electrical connections also available



Working Pressure 6000 psi

No. of Ports	Port Size & Qty					A	B	C	D	E	F	G	H	M	N	O	P	Q
	3/8"	1/2"	3/4"	1"	1 1/4"													
7			3	2	2	11.61	10.43	8.58	7.09	5.71	1.97	9.61	14.02	.59	4587	5.71	4575	145-175-15
9		2	2	3	2	11.61	10.43	8.58	7.09	5.71	1.97	11.42	15.75	.59	4587	5.71	4575	145-175-15
9		3	2	2	2	11.61	10.43	8.58	7.09	5.71	1.97	11.02	15.35	.59	4587	5.71	4575	145-175-15
11			2	9		11.61	10.43	8.58	7.09	5.71	1.97	14.17	18.58	.59	4587	5.71	4575	145-175-15
11		5	2	2	2	11.61	10.43	8.58	7.09	5.71	1.97	12.60	16.93	.59	4587	5.71	4575	145-175-15
12		1	4	5	2	11.61	10.43	8.58	7.09	5.71	1.97	14.96	18.11	.59	4587	5.71	4575	145-175-15
13		6	3	2	2	11.61	10.43	8.58	7.09	5.71	1.97	14.72	19.09	.59	4587	5.71	4575	145-175-15
15		6	3	4	2	11.61	10.43	8.58	7.09	5.71	1.97	17.09	21.46	.59	4587	5.71	4575	145-175-15

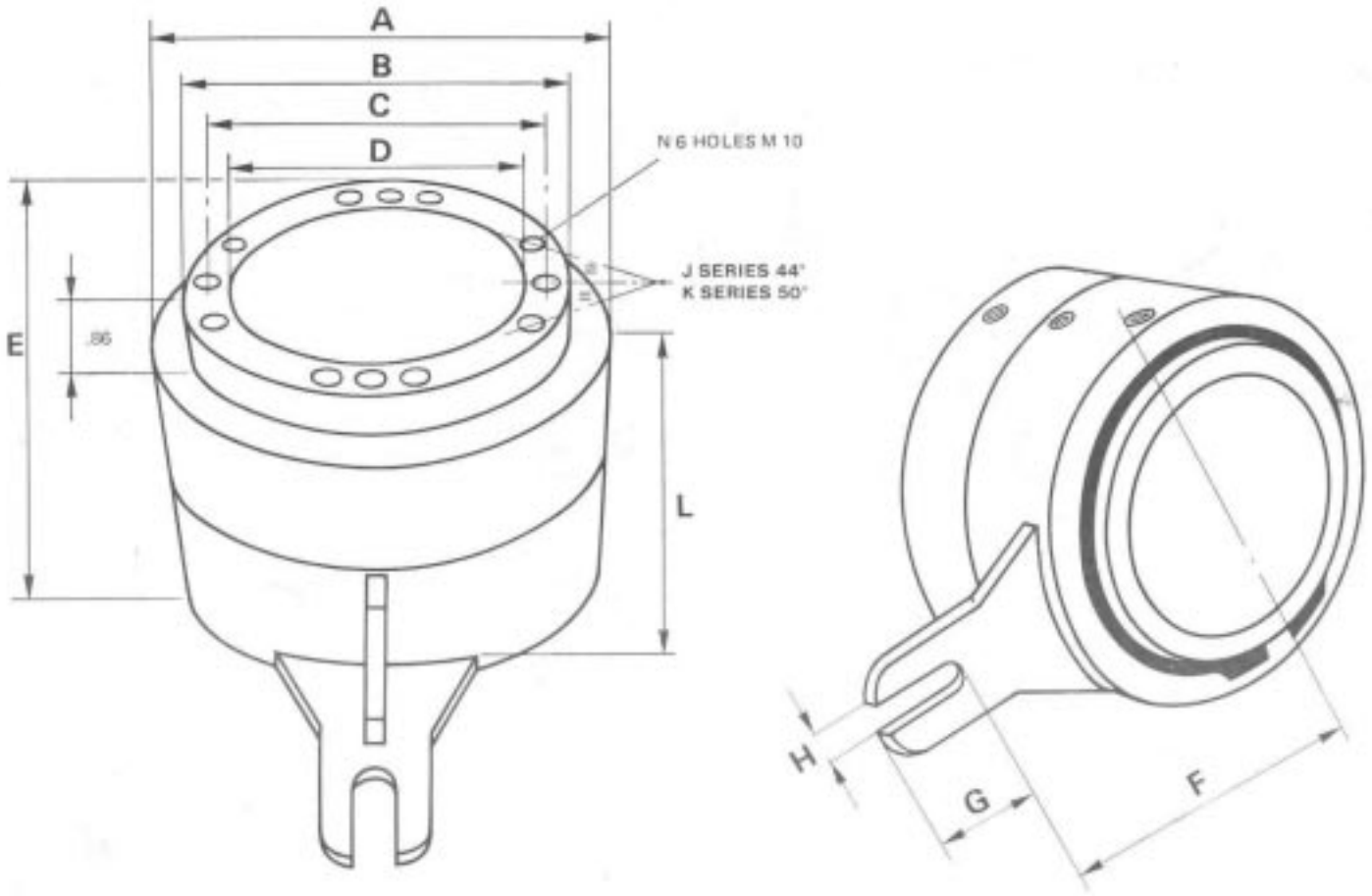
Optional port sizes upon request - up to 30 electrical connections also available



Working Pressure 6000 psi

No. of Ports	Port Size & Qty					A	B	C	D	E	F	G	H	M	N	O	P	Q
	1/4"	1/2"	3/4"	1"	1 1/4"													
20	10	2	4	2	2	12.99	11.81	9.45	9.37	6.69	1.97	19.69	24.09	.98	4700	6.69	4675	170-200-15

Optional port sizes upon request - up to 30 electrical connections also available



Working Pressure 6000 psi

**SERIES J-10-08**

No. of Ports	Port Size & Qty		A	B	C	D	E	F	G	H	L	O.R.	SLIPPER
	1/4"	1/2"											
6	6		8.58	7.09	6.30	5.55	7.17	6.30	1.58	.63	6.10	4700	6.89
7	7		8.58	7.09	6.30	5.55	7.99	6.30	1.58	.63	6.10	4700	6.89
8	8		8.58	7.09	6.30	5.55	8.74	6.30	1.58	.63	6.10	4700	6.89
8		8	9.57	8.58	6.77	5.91	8.74	6.69	1.58	.63	6.10	4775	7.48

**SERIES K-10-05**

No. of Ports	Port Size & Qty		A	B	C	D	E	F	G	H	L	O.R.	SLIPPER
	1/4"	1/2"											
4	4		7.60	6.30	5.55	4.80	5.98	5.75	1.57	.63	4.72	4625	6.10
6	6		7.60	6.30	5.55	4.80	7.09	5.75	1.57	.63	4.72	4625	6.10
8	8		7.60	6.30	5.55	4.80	8.74	5.75	1.57	.63	4.72	4625	6.10

Optional port sizes upon request - up to 30 electrical connections also available