

**SAL** *Hydraulics, Inc.*

# ROTARY ACTUATOR

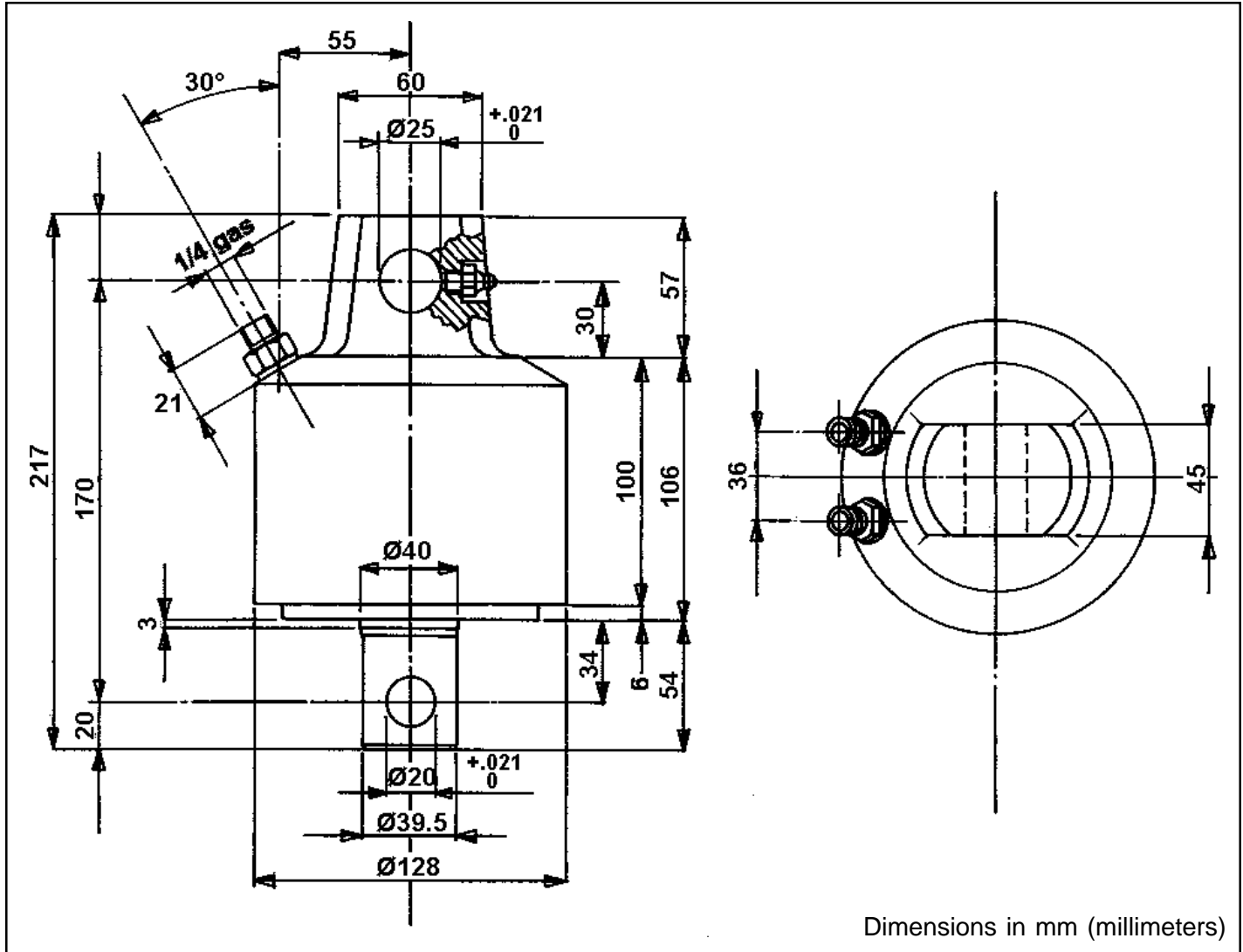
## T SERIES



RACT092302



## ROTARY ACTUATOR T.1

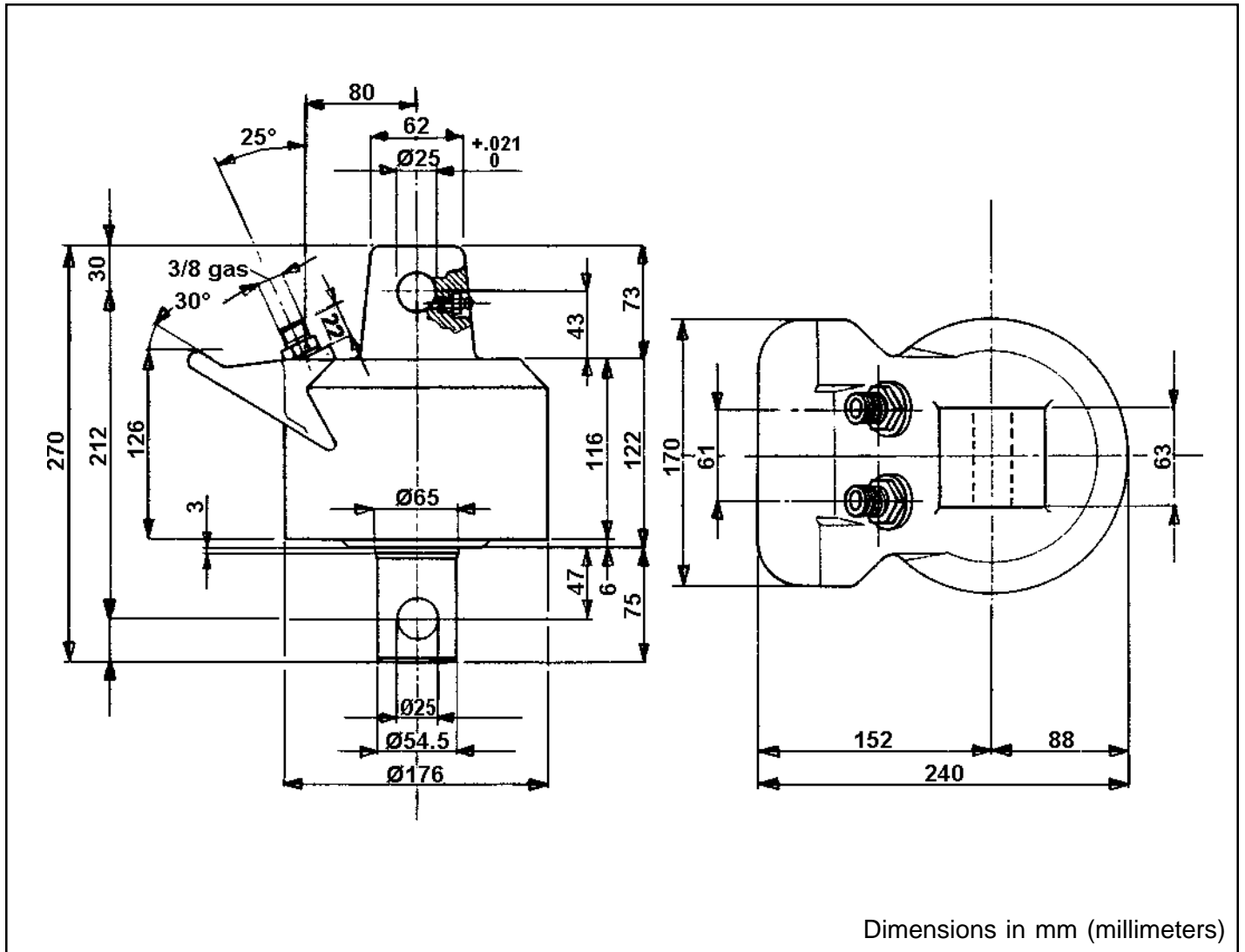


### Technical Data T.1

Rotation	300 Degrees
Max. Torque	850 ft/lb at 3265 psi
Rotation Speed	90 Degrees/Second with 16 gpm
Max. Working Pressure	3000 psi
Max. Static Axial Load	2200 lb
Max. Dynamic Axial Load	1100 lb
Weight	22 lb



# ROTARY ACTUATOR T.2.5



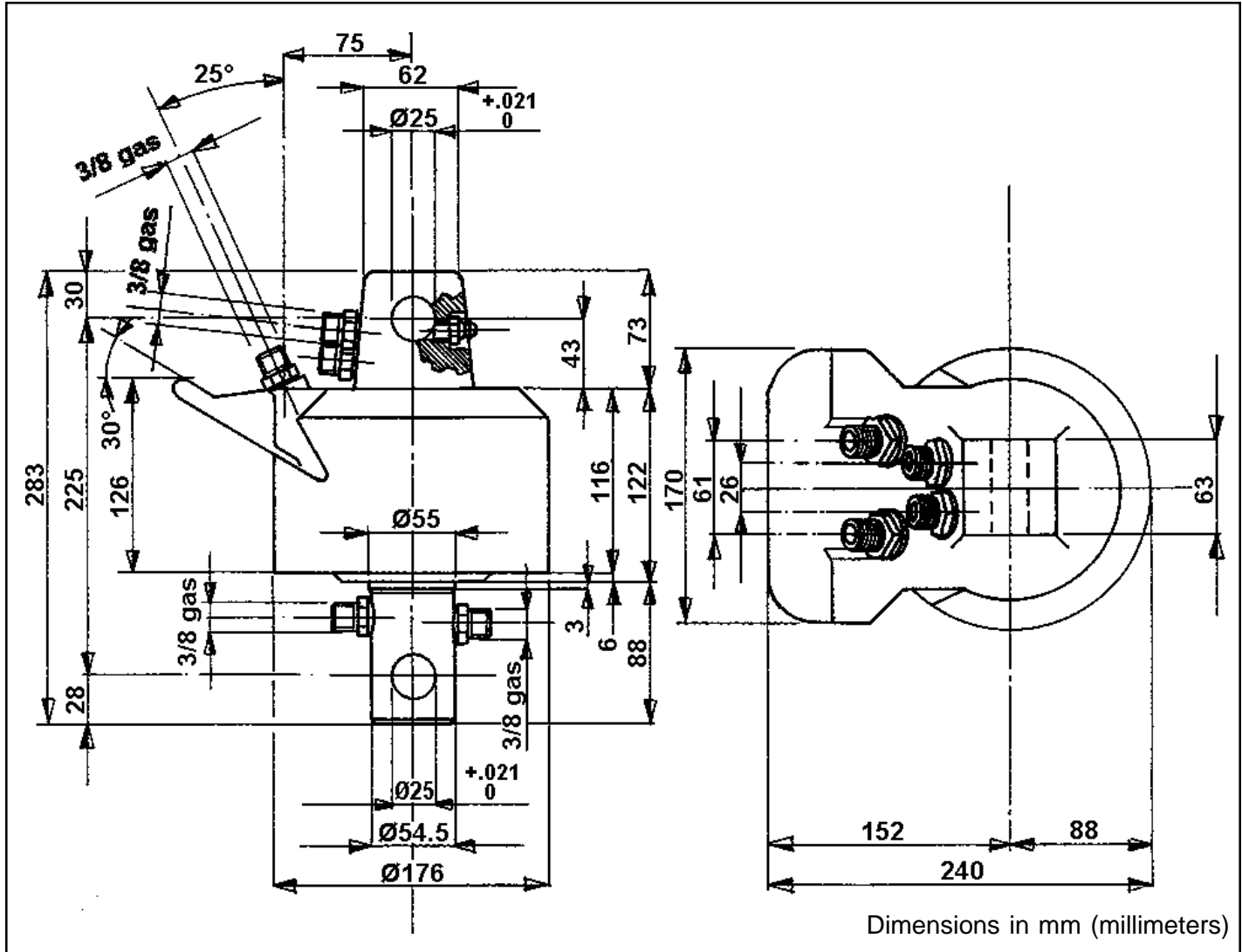
Dimensions in mm (millimeters)

## Technical Data T.2.5

Rotation	300 Degrees
Max. Torque	2200 ft/lb at 3500 psi
Max. Working Pressure	3000 psi
Max. Static Axial Load	5500 lb
Max. Dynamic Axial Load	2500 lb
Displacement	48 cu/in
Weight	42 lb



ROTARY ACTUATOR T.2.5D

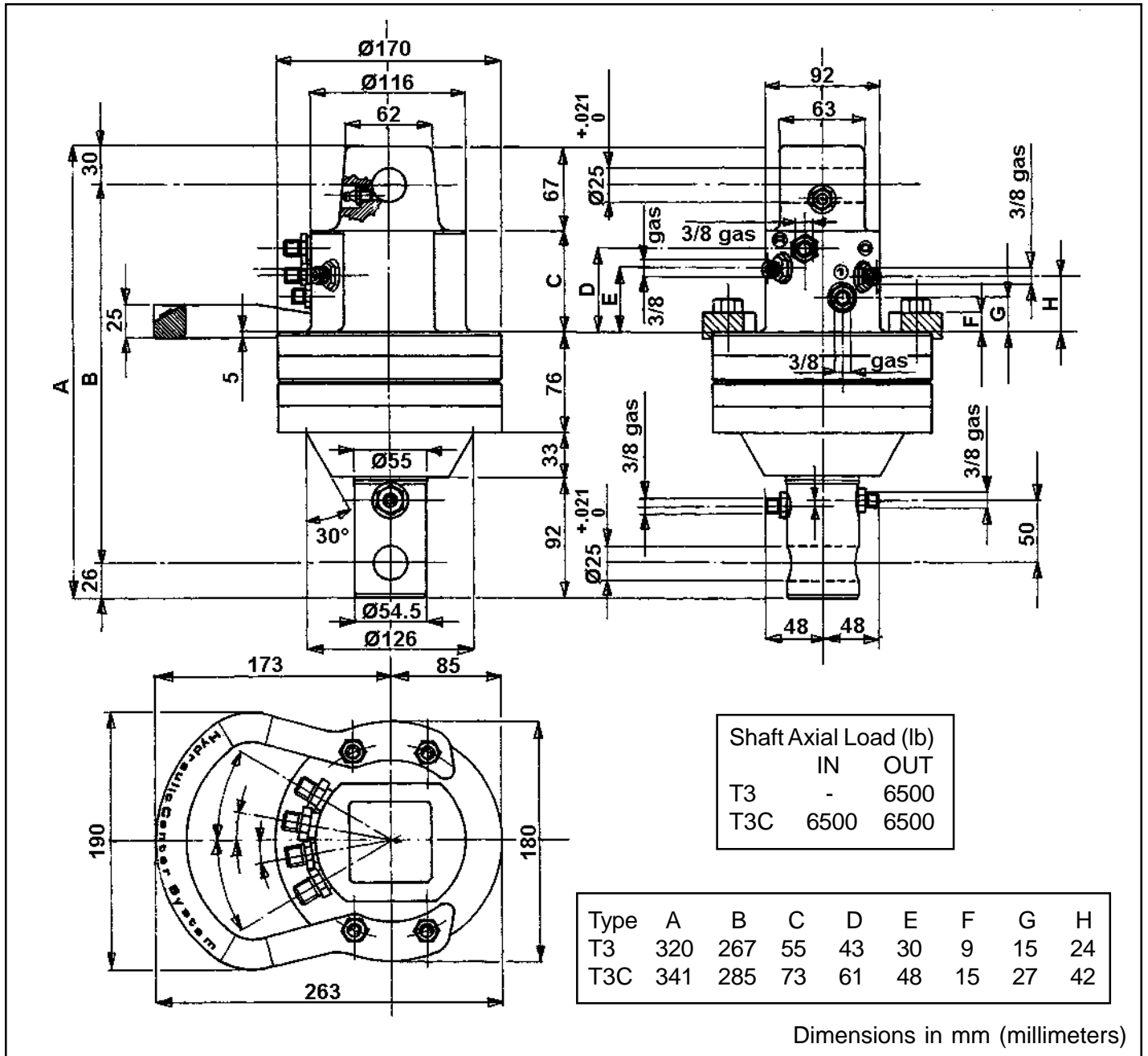


Technical Data T.2.5D

Rotation	300 Degrees
Max. Torque	2150 ft/lb at 3625 psi
Rotation Speed	90 Degrees/Second with 27 gpm
Max. Working Pressure	3000 psi
Max. Static Axial Load	5500 lb
Max. Dynamic Axial Load	2200 lb
Weight	46 lb



ROTARY ACTUATOR T.3 - T.3S

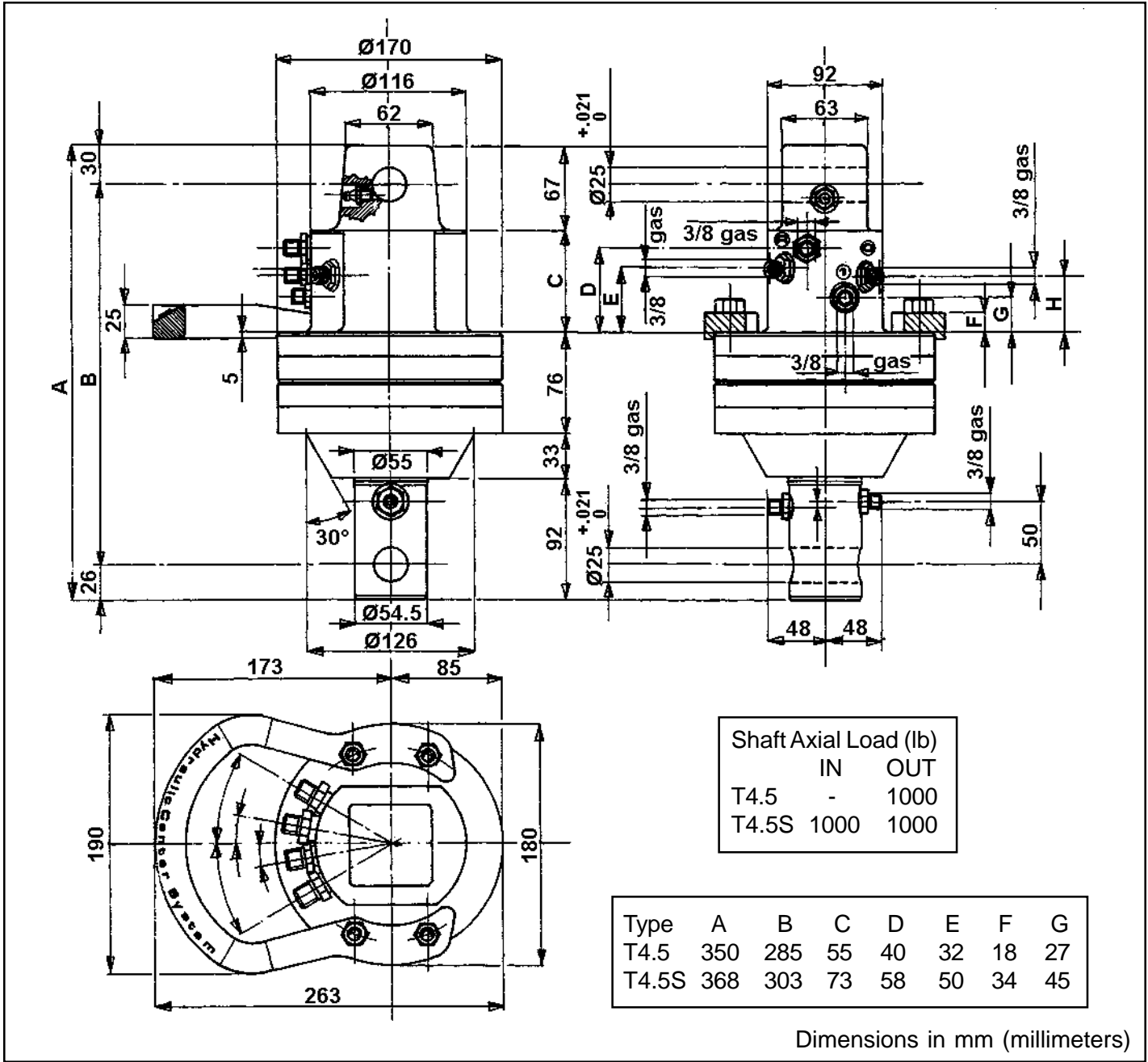


Technical Data T.3 - T.3S

Rotation	Continuous
Peak Pressure	3000 psi
Torque at 2500 psi	575 ft/lb
Working Pressure	2500 psi
Displacement	19.6 cu/in
Weight	37.4 lb



# ROTARY ACTUATOR T.4.5 - T.4.5S

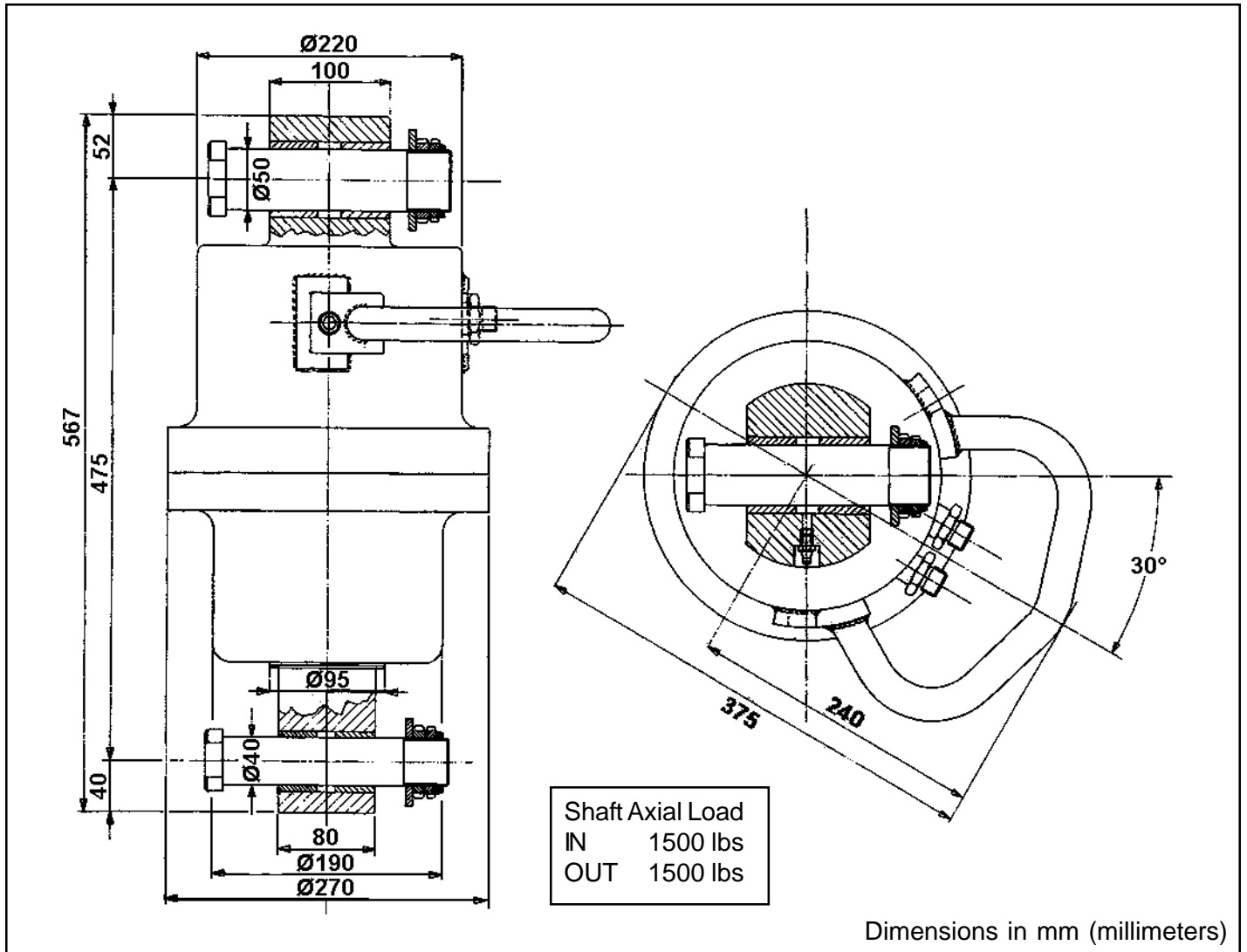


## Technical Data T.4.5 - T4.5S

Rotation	Continuous
Peak Pressure	3000 psi
Torque at 2500 psi	700 ft/lb
Working Pressure	2500 psi
Displacement	27 cu/in
Weight	55 lb



## ROTARY ACTUATOR T.7

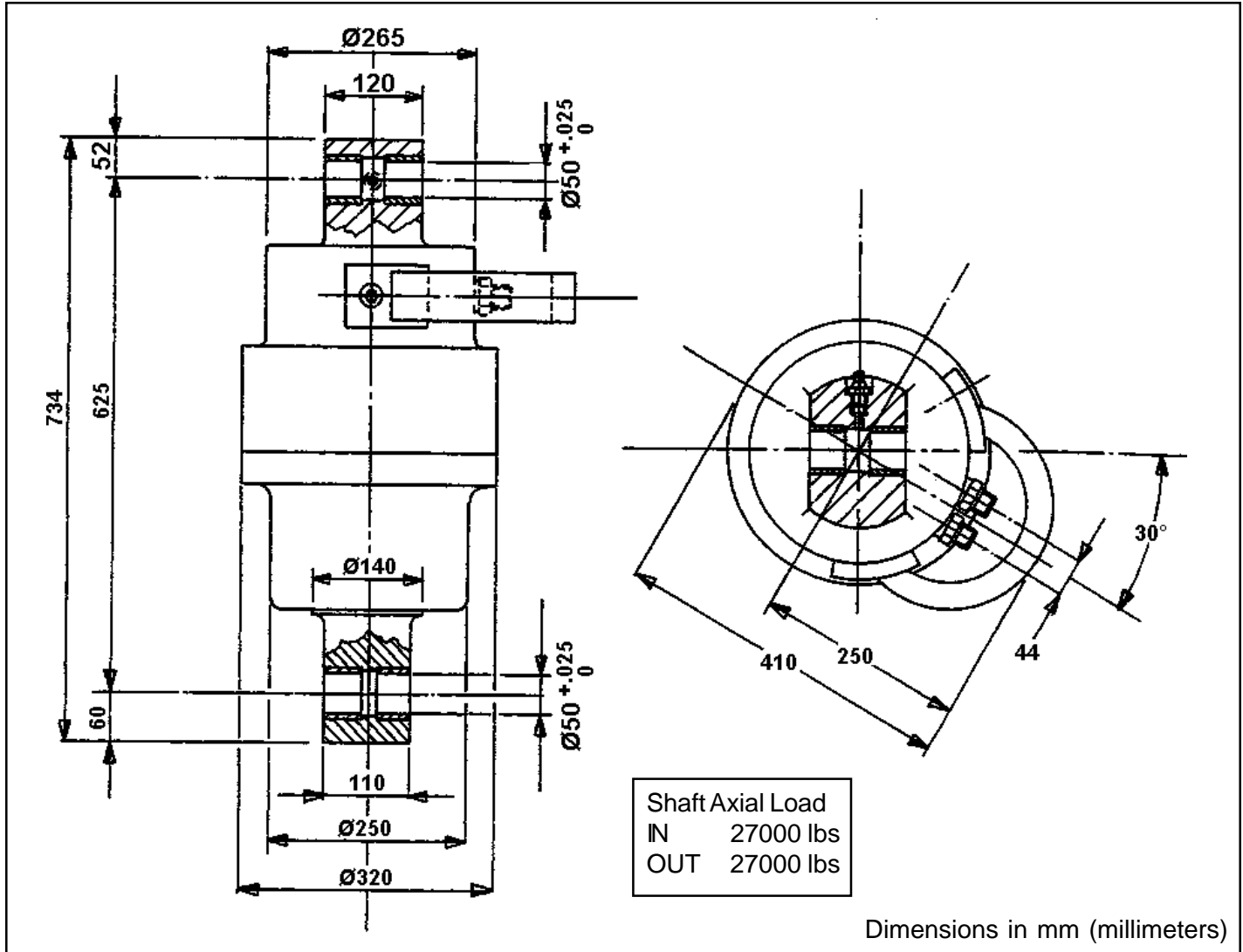


### Technical Data T.7

Rotation	Continuous
Max. Flow	up to 27 gpm
Motor Displacement	12.27 cu/in-rev
Reducer Ratio	7.2:1
Torque Continuous	1050 ft/lb at 1250 psi
Torque Intermittent	1530 ft/lb at 1800 psi
Torque Peak	2100 ft/lb at 2500 psi
Weight	200 lbs



# ROTARY ACTUATOR T.12S

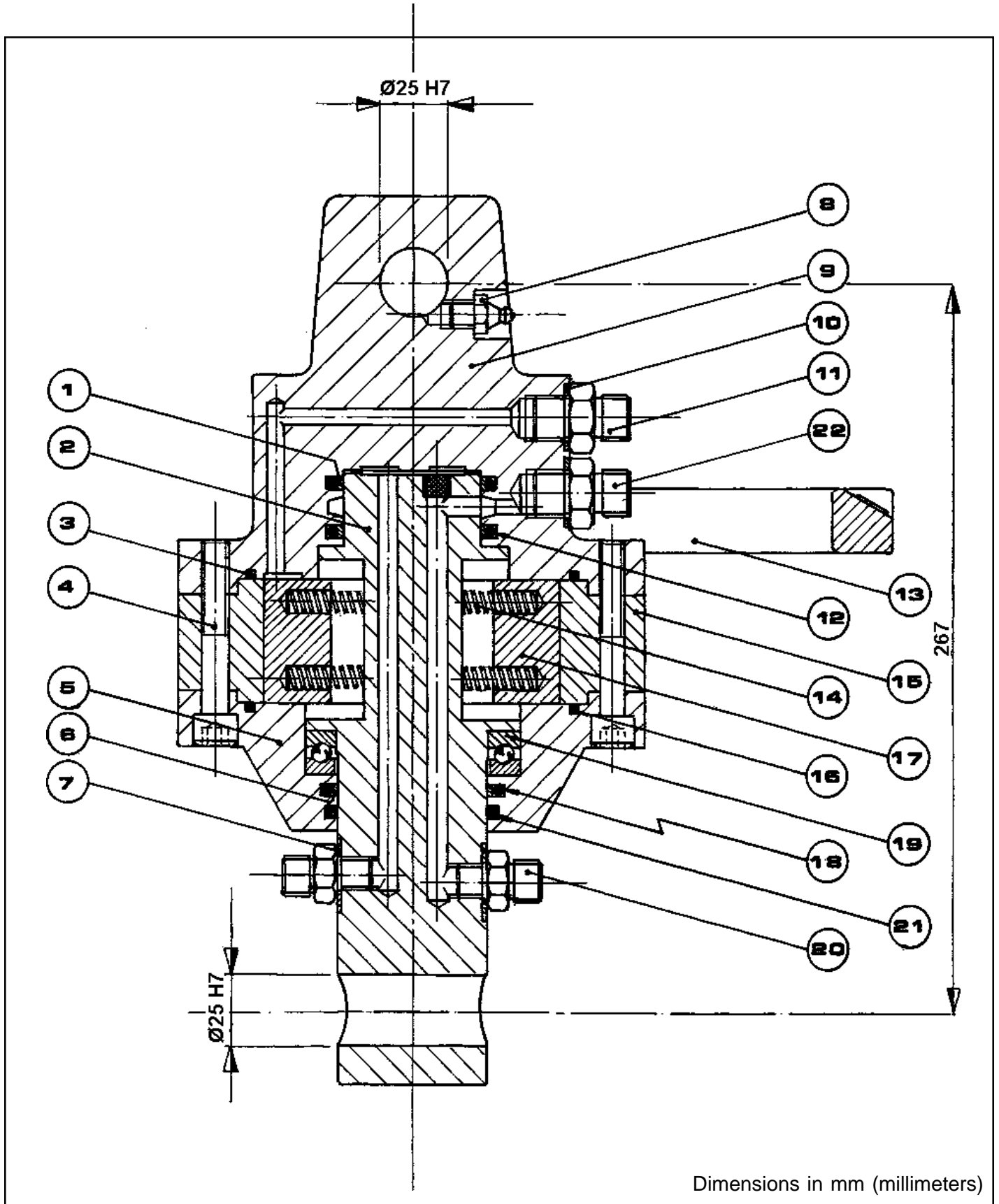


## Technical Data T.12S

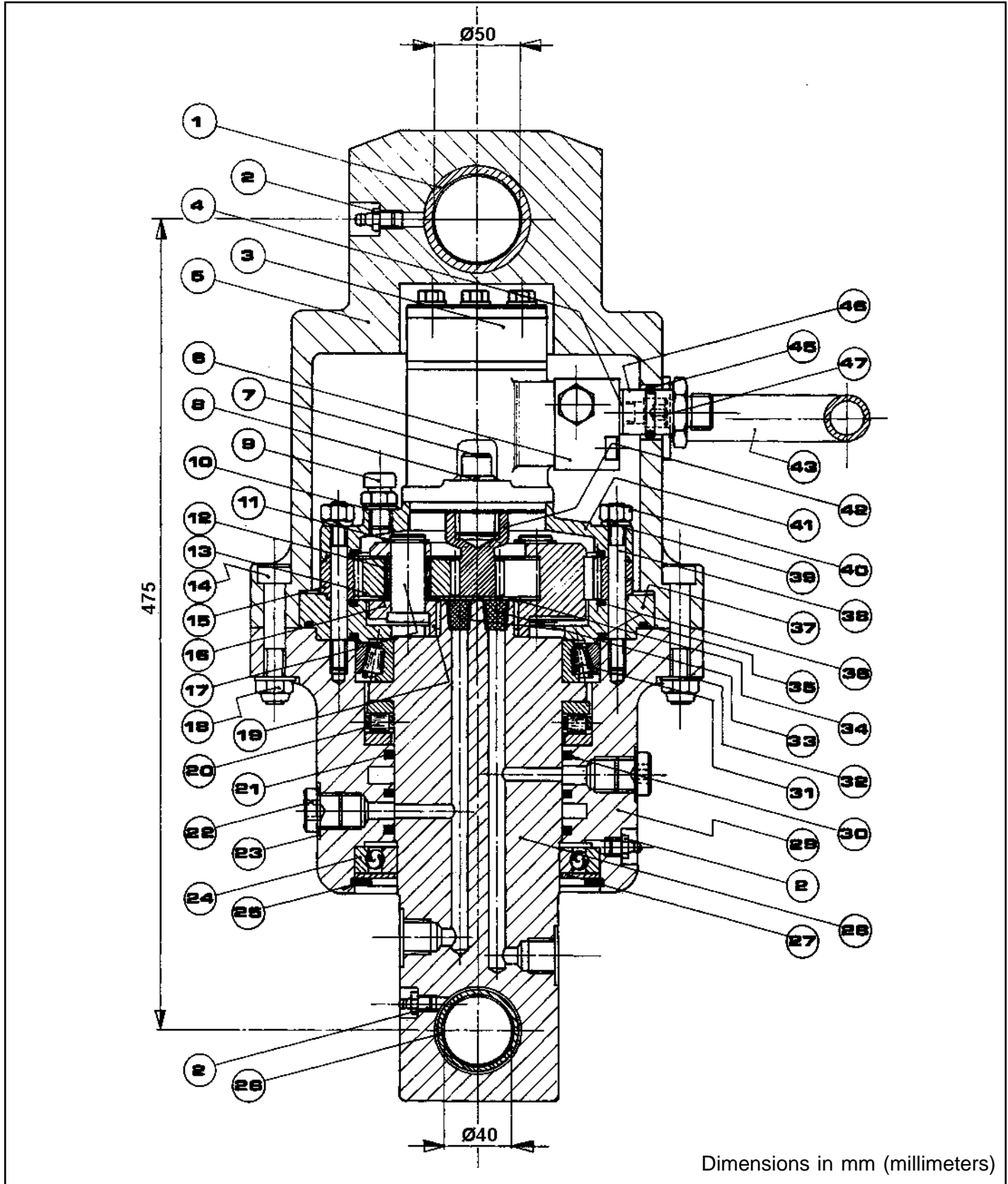
Rotation	Continuous
Max. Flow	27 gpm
Motor Displacement	18.4 cu/in-rev
Reducer Ratio	6:1
Torque Continuous	1120 ft/lb at 950 psi
Torque Intermittent	1800 ft/lb at 1500 psi
Torque Peak	2450 ft/lb at 2100 psi
Weight	435 lbs



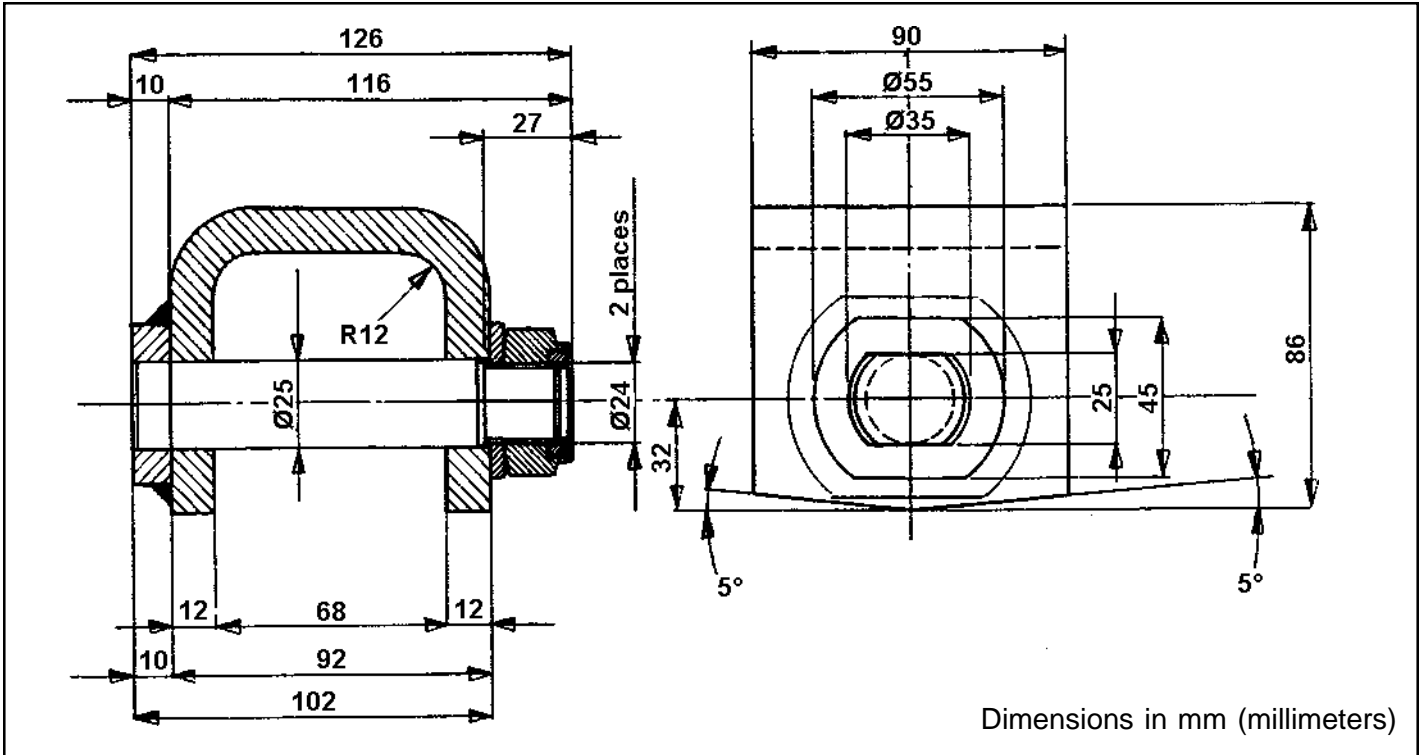
## ROTARY ACTUATOR T.3



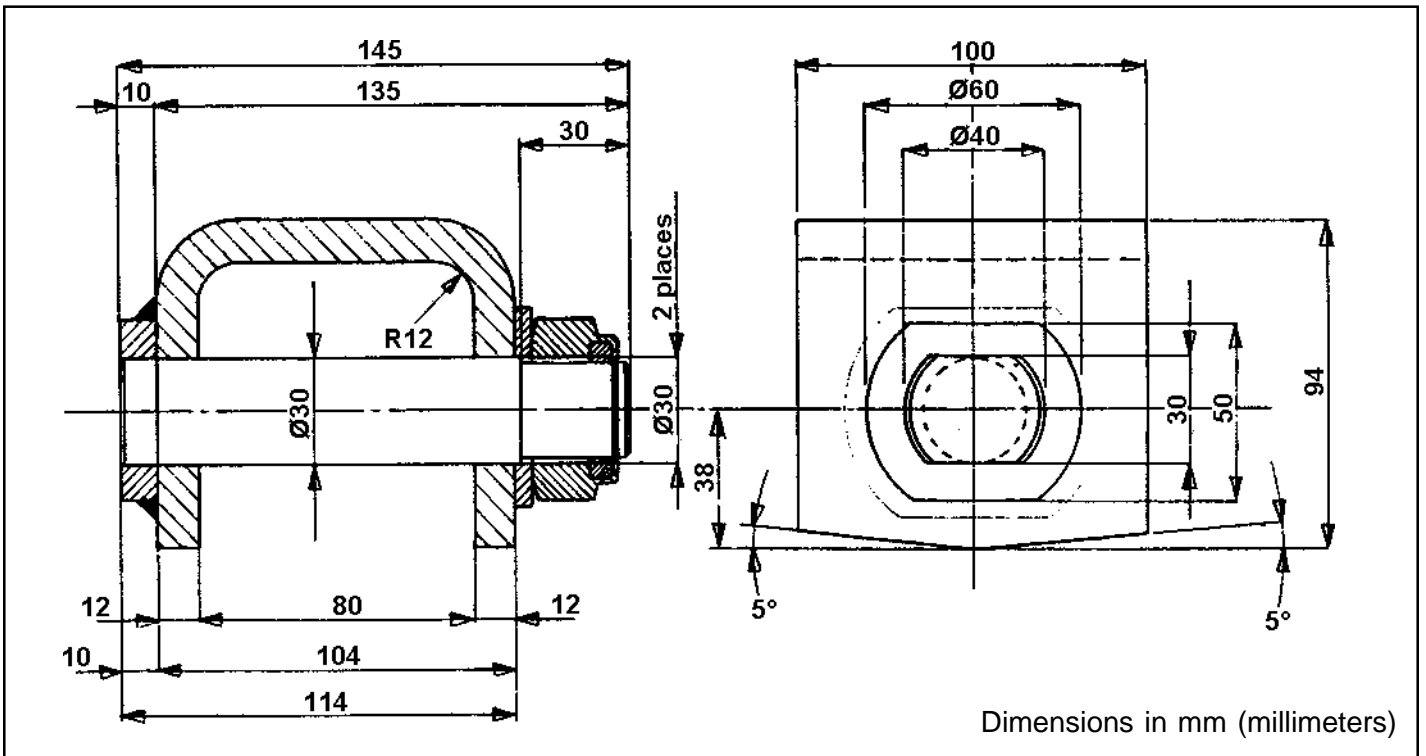
## ROTARY ACTUATOR T.7



**MOUNTING BRACKET FOR T.2.5 and T.3 - T.3S**



**MOUNTING BRACKET FOR T.4.5 and T.4.5S**



# SAI - WORLD WIDE



***SAI Hydraulics, Inc.***

3905 W. 9th Street  
Trainer, PA 19061  
(610) 497-0190 Fax (610) 497-0194  
info@saihyd.com www.saihyd.com

***SAI Hydraulics Canada Ltd.***

6105 Boulevard Couture  
St. Leonard, PQ H1P3G7  
(514) 323-4552 Fax (514) 323-8780